

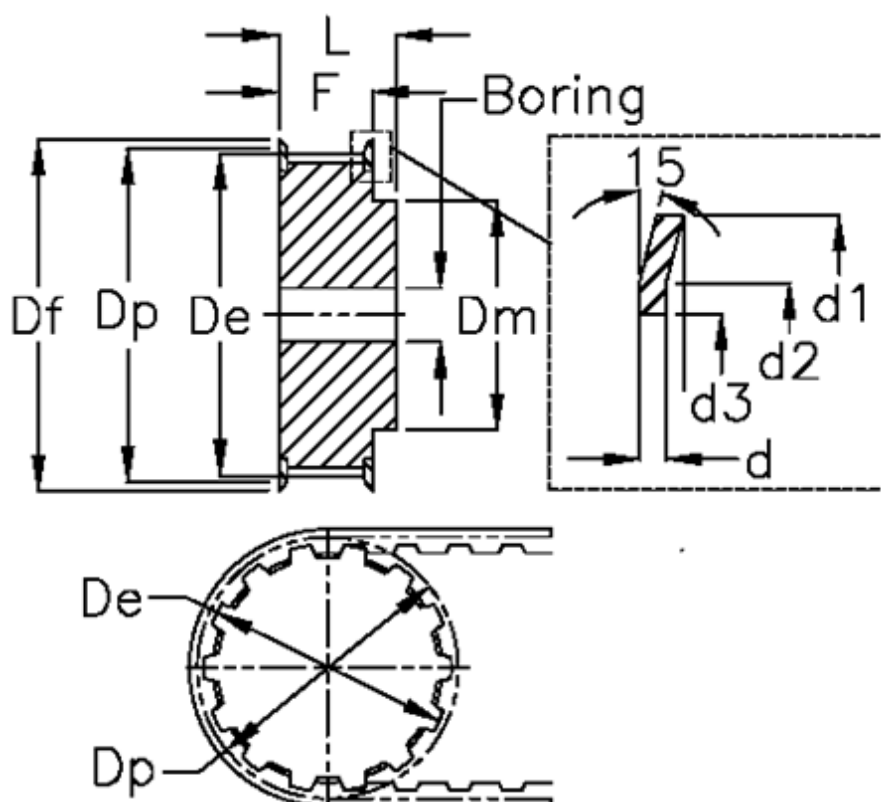
Data Sheet



Article number: 604144032030

Description: Timing belt pulley with hub
HTD 32 8M 30

Measures



Bore = 15	Dp = 81.49
d = 1.5	F = 38
d1 = 87	Flange type = F30
d2 = 82.5	L = 48
d3 = 72	Tooth number = 32
De = 80.16	Type = 8M
Df = 87	Weight = 1.53
Dm = 60	Width = 30